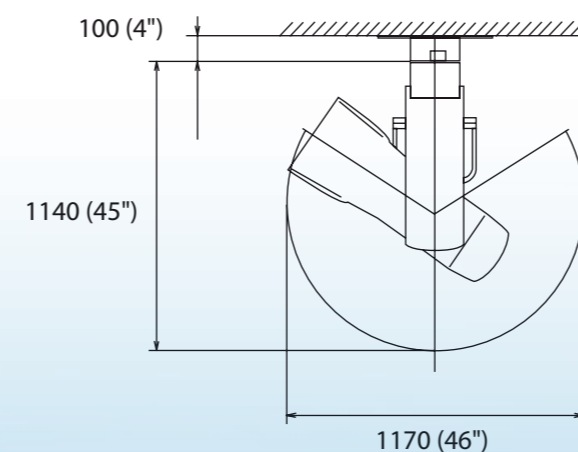
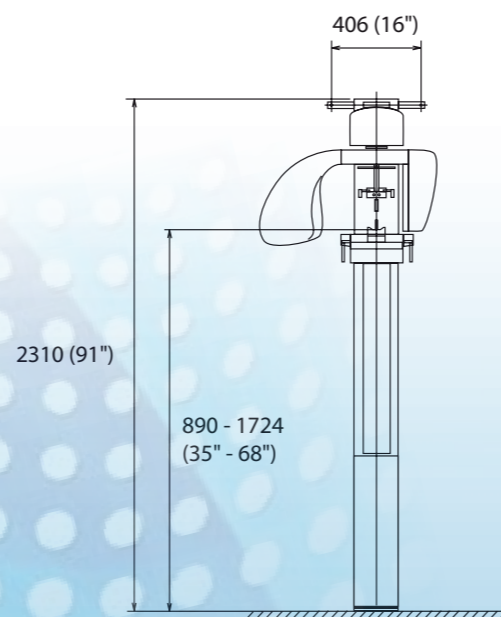
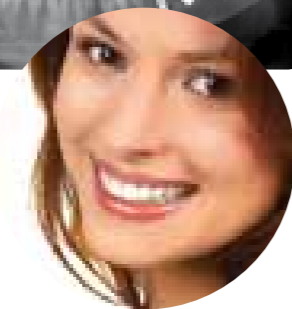
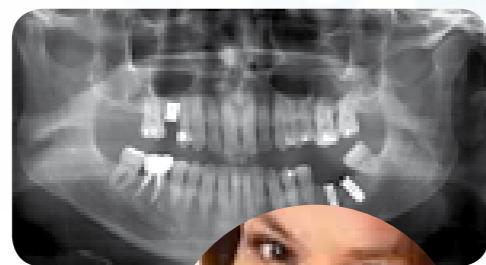


I-MAX EASY

I-Max Easy
The affordable, stylish
panoramic system

Technical specifications

Digital sensor: CCD
Pixel size: 48 µm
CCD resolution: 10.4 / 5.2 lp/mm
Connection: USB 2.0 - 480 Mb/s
Storage: Compact Flash Card
Anode voltage: 60-85 kVp
Anode current: 10 mA
Focal spot: 0.5
Exposure time: Panoramic 17" adult / 14" child, TMJ 9.4"
Absorbed current: 5 A @ 230V
Absorbed power: 1.15 kVa
Standards: EC 93/42



Agence B-EST RCS Meaux 453 054 298 - 02/2011 - I-Max Easy - EN

owandy

Owandy is an international organisation that is renowned for manufacturing dental imaging solutions and developing imaging and office management software. Its software is used by around half of the dental practitioners in France today and its range of digital imaging solutions is available to dentists in more than 50 countries on all the continents

throughout the world. In addition to the range of products and services, Owandy strives to contribute to the improvement of the orodental health and the well being of patients. A committed and innovative organisation, Owandy has been a hallmark partner for dentists for over 20 years.

Dealer's stamp

Owandy

6, allée Kepler
77447 Champs-sur-Marne
France
Tél. : +33 (0)1 64 11 18 18
Fax : +33 (0)1 64 11 18 10
Email : info@owandy.com
www.owandy.com

owandy

SOFTWARE
DIGITAL SENSORS
PANORAMIC UNITS
CAMERAS
INTRAORAL RADIOLOGY

I-MAX EASY



I-MAX EASY

The affordable, stylish panoramic system

owandy



The affordable, stylish panoramic system

Equip your surgery with leading-edge technology at a very reasonable price.

I-Max Easy: The winning combination to discover digital panoramic imaging.



Design and ergonomics



Simplicity and user-friendliness



The essence of technology



Recognised effectiveness



Image quality



I-Max Easy: the panoramic unit that is 100% integrated with QuickVision

Quickvision – the benchmark for dental software to address your imaging needs. Professional and intuitive dental imaging software.

User friendly and intuitive with its contextual menus, icons and tabbed layout, the Quickvision software is 100% integrated with your panoramic unit and offers extensive image processing capabilities: contrast enhancement, video inversion, zoom filters, pseudo-colours, equidensity, zoom navigator etc. It also enables you to make very precise, actual size measurements, directly on your panoramic image.



Design and ergonomics

Its simple and refined design makes the I-Max Easy a panoramic system that is both modern and timeless. Its dimensions are reduced so that it takes up minimum space: it can therefore be installed in any surgery. Modern and stylish, it will integrate seamlessly in your surgery and enhance it.



Simplicity and user-friendliness

The I-Max Easy allows for a precise patient positioning. Aided by laser beams (Frankfurt and sagittal median planes), the operator easily places the patient in the correct position. Maintaining this ideal position is ensured by the I-Max Easy's 4 patient head support points: the temple rests, chin support, frontal support and bite block.

Operation of the panoramic unit is obvious and intuitive. Its remote control with simple icons allows for an intuitive use of the I-Max Easy. With the QuickVision imaging software, integrated with the panoramic unit, you produce high-definition images enabling you to provide quality treatments.



The essence of technology for a maximal adaptation

Through its USB 2 interface, the I-Max Easy connects to any computer with a USB port. Additionally, the I-Max Easy comes pre-equipped with a Compact Flash memory card and can record images without being connected to a computer.

Thanks to this portable flash card, acquired images can be imported on any computer of the practice.

The CCD sensor's great sensitivity coupled with the I-Max Easy's powerful electronics ensures the creation of high resolution images. Indeed, the images captured have perfect luminosity and are ideally contrasted. The very clear reproduction provided by I-Max Easy enables you to make an effective, precise and instant diagnosis.



Recognised effectiveness

The I-Max Easy produces all the panoramic radiographs you need to make your diagnosis quickly and precisely:

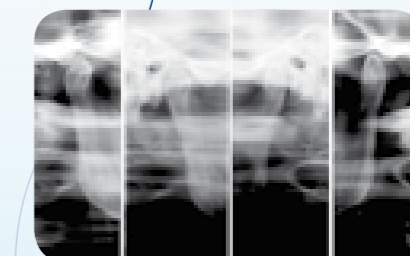
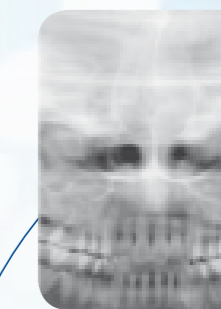
- Standard adult panoramic
- Standard child panoramic
- Open/closed mouth TMJ
- Sinus



High-definition image quality

With the I-Max Easy you can acquire images with a perfect image quality while at the same time limiting the emitted X-ray dose.

As a very precise diagnostic tool, the I-Max Easy allows you, among other things, to perform implant simulations.



I-Max Easy
The affordable, stylish panoramic system

